

There was a man who was sent from God.  
His name was John. Find out more about John.

Match the numbers with the words to fill in the blanks.

|               |            |            |             |             |             |                  |               |
|---------------|------------|------------|-------------|-------------|-------------|------------------|---------------|
| 17<br>believe | 10<br>John | 25<br>as   | 28<br>him   | 27<br>light | 29<br>world | 26<br>concerning |               |
| 7<br>through  | 5<br>a     | 4<br>came  | 19<br>gives | 8<br>only   | 6<br>might  | 31<br>was        | 13<br>coming  |
| 3<br>everyone | 21<br>he   | 9<br>so    | 20<br>He    | 24<br>the   | 22<br>into  | 12<br>people     | 18<br>testify |
| 1<br>witness  | 30<br>not  | 16<br>true | 15<br>The   | 23<br>that  | 11<br>all   | 2<br>to          | 14<br>himself |

|    |    |    |    |    |    |   |
|----|----|----|----|----|----|---|
| 10 | 4  | 25 | 5  | 1  |    |   |
| 2  | 18 | 26 | 23 |    |    |   |
| 27 | 9  | 23 | 7  | 28 |    |   |
| 11 | 12 | 6  | 17 |    |    |   |
| 20 | 14 | 31 | 30 | 24 | 27 |   |
| 21 | 4  | 8  | 25 | 5  | 1  | 2 |
| 24 | 27 | 15 | 16 | 27 | 23 |   |
| 19 | 27 | 2  | 3  | 31 |    |   |
| 13 | 22 | 24 | 29 |    |    |   |



# Children's Worship Bulletin™

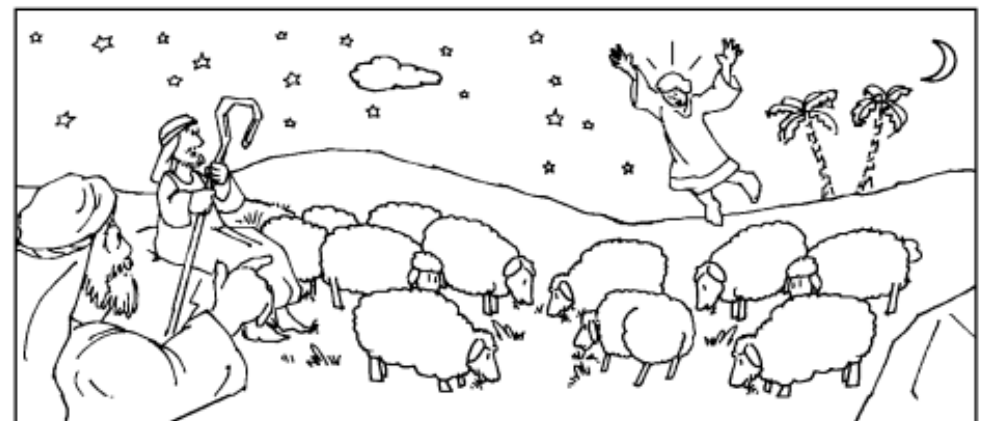
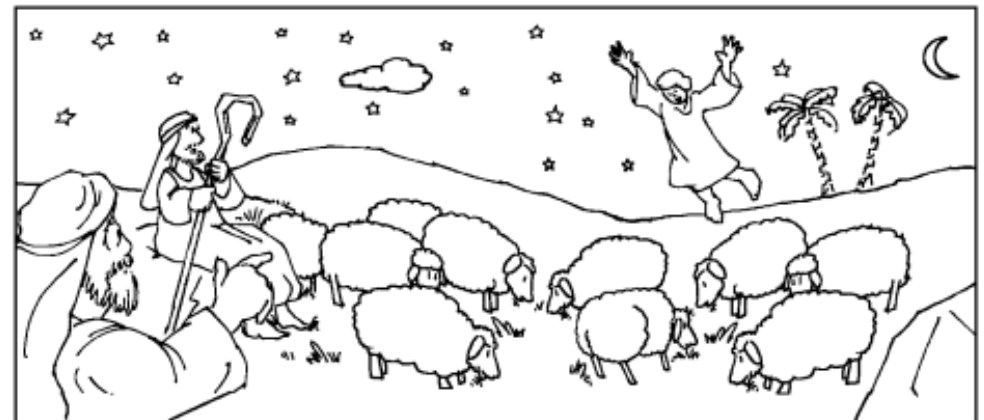
Ages 7+

December 26, 2021 • Luke 2:8-14

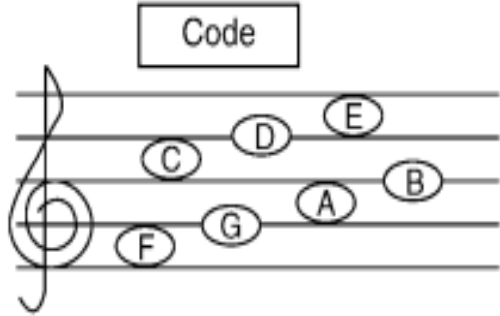
## The Angels' News

Good news to the shepherds!

Can you find 12 differences between the two pictures?



God sent the angel Gabriel to Mary, a young woman in Nazareth of Galilee. Find what the angel said to her.



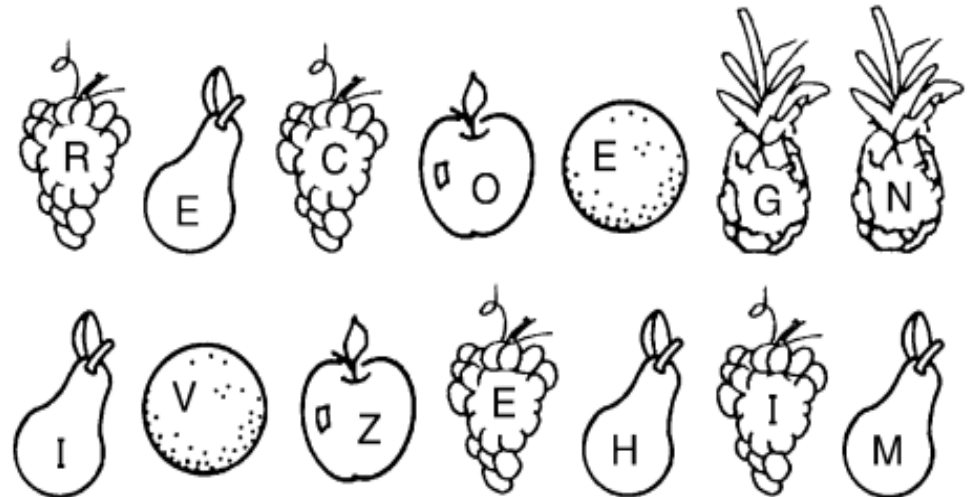
“\_r\_ \_tin\_s, you who \_r\_ hi\_hly  
 \_ \_vor\_ \_! Th\_ Lor\_ is with you.  
 \_o not \_ \_ \_r\_i\_ ... you h\_v\_  
 \_oun\_ \_ \_vor with \_o\_.”

Enter your **SECRET CODE** to unlock games @ [games.childrensbulletins.com](http://games.childrensbulletins.com)

**SECRET CODE**  
**CQ8977**

God sent Jesus to the world.  
 When He came, what happened?

In the first sentence, write all the letters that are on a fruit that has the letter P in its name. In the second sentence write all the letters that are on a fruit that has the letter R in its name. Some letters are used twice.



They did not

-----

They did not

-----

Enter your **SECRET CODE** to unlock games @ [games.childrensbulletins.com](http://games.childrensbulletins.com)

**SECRET CODE**  
**THPRQ7**