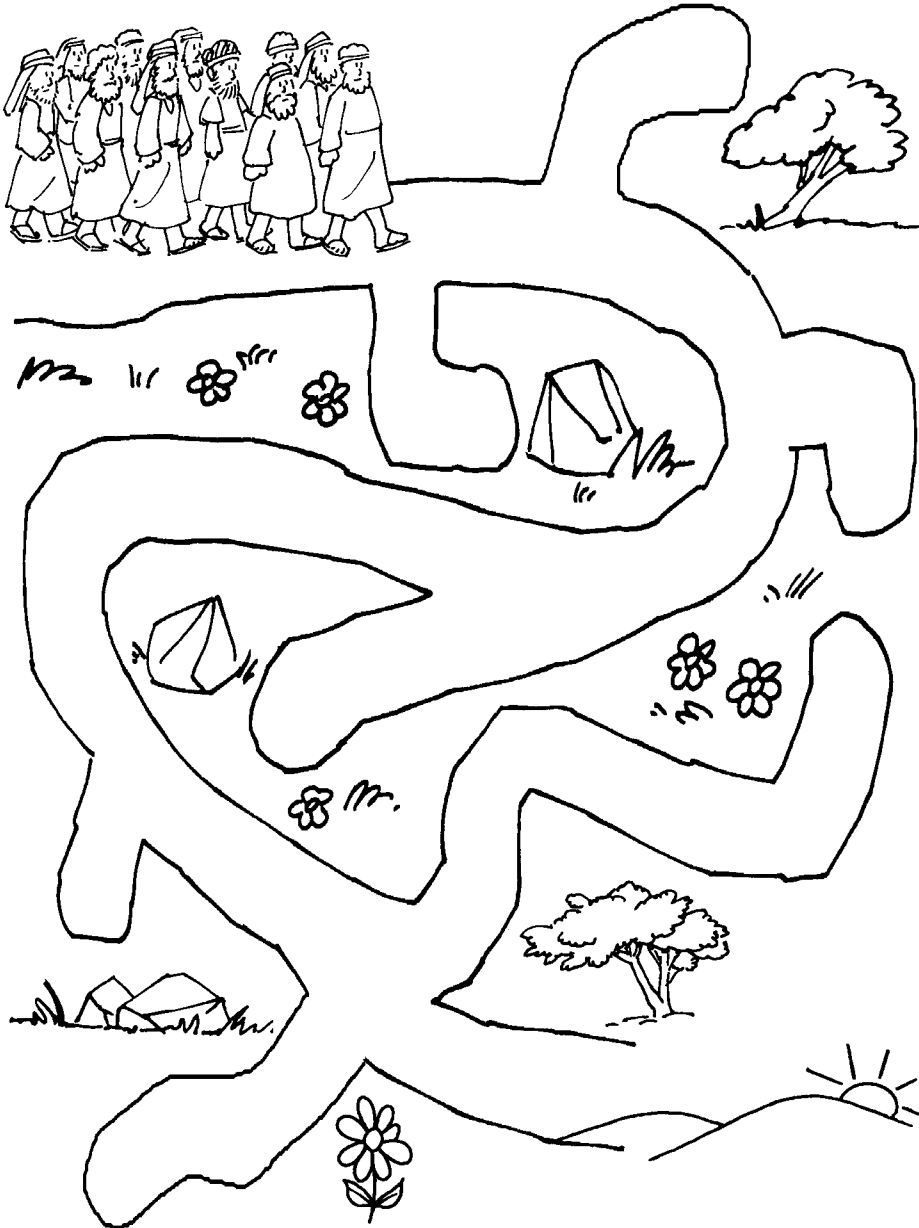


God said, "I will bring the people back to the land of Israel."

Help the people get to Israel.



# Children's Worship Bulletin™



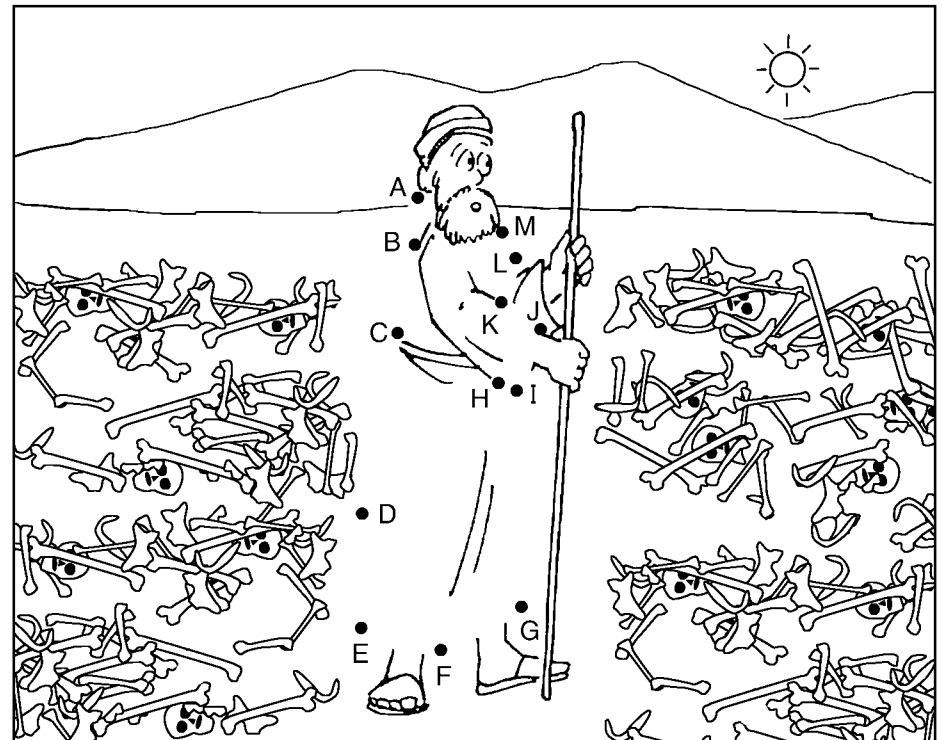
Ages 3+

December 5, 2021 • Ezekiel 37:1-14

## The Vision of the Bones

God sent Ezekiel a vision. In it, Ezekiel was in a valley. The valley was full of dry bones.

Connect the dots.  
A B C D E F G H I J K L M



Enter your **SECRET CODE** to unlock games @ [games.childrensbulletins.com](http://games.childrensbulletins.com)

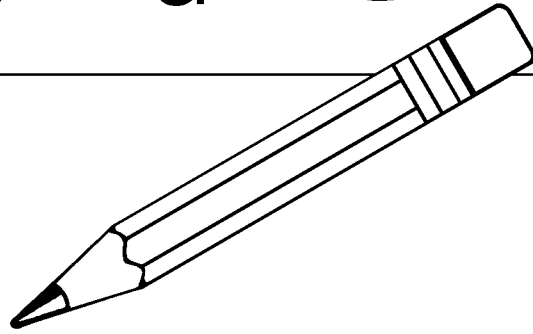
**SECRET CODE**  
**XMYWW6**

Israel was like dry bones.  
The people said, "Our hope is gone."

Use the code to fill in the missing letters.

e =       i = 

o =       u = 



"O \_ r h \_ p \_



\_ s g \_ n \_ ."



God told Ezekiel to speak to the bones.  
"They will live again," God said.

Match the shapes below.

